

Clough & Burrell,

Insect Trap.

No. 24,375.

Patented June 14, 1859.

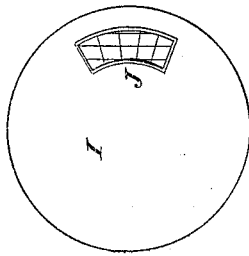


Figure 3.

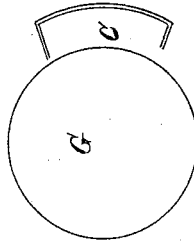


Figure 4.

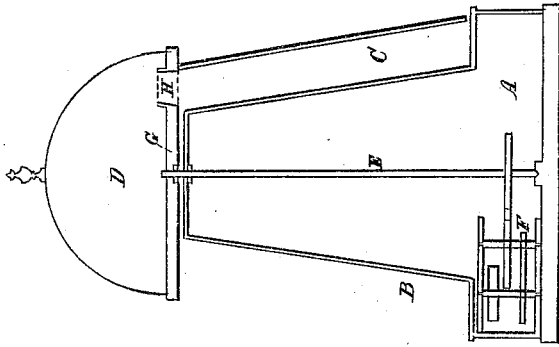


Figure 2.

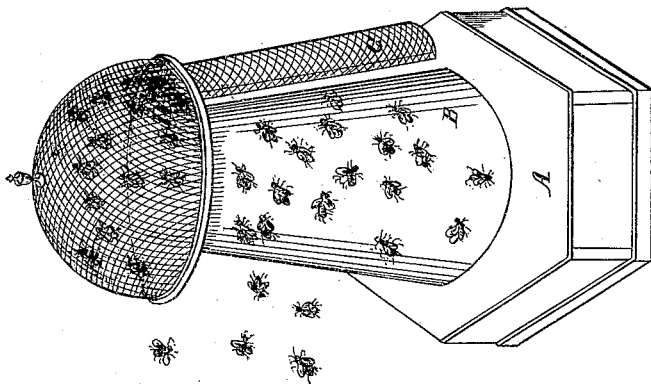


Figure 1.

Witnesses
Abner J. Brown
A. D. Stratton

J. S. Clough
J. R. Burrell

UNITED STATES PATENT OFFICE.

ISAAC S. CLOUGH, OF BROOKLYN, AND SAML. R. BURRELL, OF NEW YORK, N. Y.

FLY-TRAP.

Specification of Letters Patent No. 24,375, dated June 14, 1859.

To all whom it may concern:

Be it known that we, ISAAC S. CLOUGH, of Brooklyn, in the county of Kings and State of New York, and SAML. R. BURRELL, of New York, in the county of New York and State of New York, have invented a new and Improved Fly and Mosquito Trap; and we do hereby declare that the following is a full and exact description of the same, reference being had to the accompanying drawings, making part of this specification, and the letters of reference marked thereon.

Figures or drawings.—Figure I, is a perspective view of our improved fly and mosquito trap; A shows a box or stand, B a stationary cone or cylinder, C, a perforated catcher and start, D a receptacle formed of wire gauze. Fig. II, a sectional view of the same, A showing a box or stand, B, a stationary cone or cylinder, C a perforated catcher and start, D a receptacle formed of wire gauze, E, a spindle passing through the stationary cone or cylinder (B) and giving motion to the catcher and start, F, clock-work for operating the same, G a circular plate of metal, through which the spindle (E) passes, and to which the catcher and start (C) is attached at the opening H. Fig. III, a sectional drawing of a circular plate of metal to be placed directly over the plate (G Fig. II) and forming a separate bottom for the receptacle D, I showing the plate, and J a screen through which light is admitted and through which the flies or insects to be caught pass into the receptacle D. Fig. IV, a sectional view of the circular plate through which the spindle (E) passes and communicates motion to the catcher and start (C)—G showing the plate and C the catcher and start.

The nature of our invention consists in constructing a trap for the purpose of catching and retaining flies and mosquitos.

To enable others skilled in the art to make and use our invention, we will proceed to describe its construction and operation.

Construction.—We provide a box or stand A, to which is permanently attached a stationary cone or cylinder B. At the top of this stationary cone or cylinder B, is placed the plate G to which a semi-circular catcher and start C formed of perforated tin, is attached as shown at the opening (H Fig. II): the tin being perforated to admit light, while it covers the flies, without casting a shadow to frighten the flies until the start shall do

it. Over this is placed a second plate as shown in Drawing III and marked as I, provided with a screen J, said screen being placed directly over the opening H. This second plate forms a separate bottom for the receptacle D. Over this plate I is placed a receptacle formed of wire cloth (D) and so arranged as to contain the flies or insects. This receptacle is provided with a separate bottom, formed of plate I, that takes off with the receptacle (D) and which is provided with a bottom slide attached to it, to prevent the flies from escaping when the receptacle and bottom are removed. After the destruction of the flies it can be easily detached from the cover and cleaned. This is entirely new and much more convenient than any now in use. A clock-work attachment, F operates the catcher and start (C) by means of the spindle E running through the center of the stationary cone or cylinder B and plate G, to which the catcher and start C is attached.

Operation.—The stationary cone or cylinder B is covered with cloth and saturated with molasses or any substance attractive to the flies or insects to be caught. As they light upon it, the catcher and start (C) operated by the clock-work attachment F and attached to the plate G, revolves and in so doing, covers and drives from the cone or cylinder B, the flies attracted thereto. Attracted by the light passing through the screen J, they fly upward through the opening H, and through screen J, into the receptacle D, where they are retained and which receptacle D is removable at pleasure.

We are fully aware of the patent granted T. Gilbert, in which the claim is for a revolving cylinder, which not only attracts the flies but carries them into a receptacle; also the claim of T. M. Scott for the use of an endless belt for the same purpose. We are not aware that our invention is covered by either of these designs.

We claim—

The combination of the stationary cone, revolving catcher and start and receptacle, when constructed as described and for the purpose specified.

ISAAC S. CLOUGH.
SAMUEL R. BURRELL.

Witnesses:

A. SIDNEY DRANE,
A. D. STRATTON.