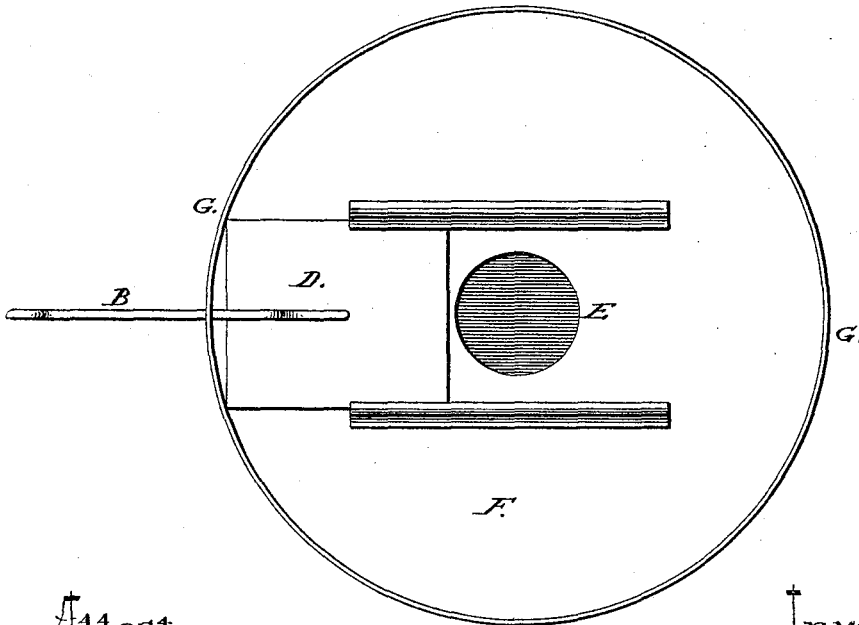
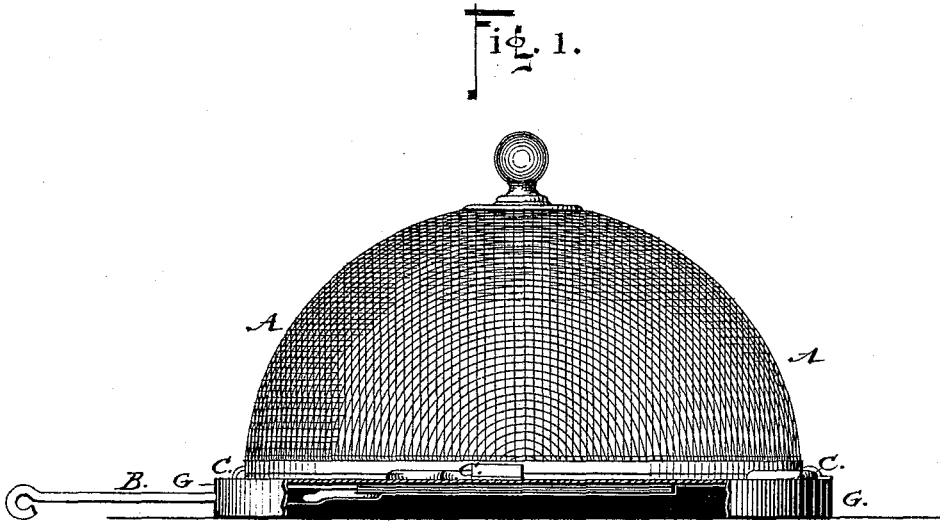


W. H. RICE.

Improvement in Fly-Catchers.

No. 133,056.

Patented Nov. 12, 1872.



Attest;
Wm. B. Blodgett

Inventor;
Fig. 2.
William H. Rice

UNITED STATES PATENT OFFICE.

WILLIAM H. RICE, OF OBERLIN, OHIO.

IMPROVEMENT IN FLY-CATCHERS.

Specification forming part of Letters Patent No. **133,056**, dated November 12, 1872.

To all whom it may concern:

Be it known that I, WILLIAM HOLDEN RICE, of Oberlin, in the county of Lorain and State of Ohio, have invented certain Improvements in Fly-Catchers, of which the following is a specification:

My invention consists in capturing flies in large masses while intent on eating or drinking, by means of the devices hereafter described.

I expose upon a table in any room where there are flies some article of food of which flies are fond. They gather to the food from all parts of the room in masses of hundreds or thousands. While thus intent on feeding I lower upon them or inclose around them a tight cover, of tin or other material, which secures the mass of flies in total darkness. A sliding or lifting gate, of any known device, in the tight cover being drawn admits light through an opening and gives admission to the upper part of the catcher, which is a wire-

cloth apartment. The flies seeking the light through natural instinct rise into the wire-cloth apartment and are secured there by closing the gate. They are destroyed by hot water, smoke, or other means.

Figure 1 is an elevation, showing the lower disk in broken section. Fig. 2 is a plan of bottom of device inverted.

A is the wire-cloth apartment in which the flies are finally secured. B is an iron rod, operating the slide D, Fig. 2; C, the hooks, by which the wire part is secured to the disk G; D, a slide, of tin or other material, closing the hole E.

I claim as my invention—

The netting A, in combination with the disk F and rim G with the hole E closed by the slide D, substantially as and for the purpose specified.

Witnesses: WILLIAM H. RICE.
THOMAS C. CONNOLLY,
OSCAR C. FOX.