

E. B. ANDERSON.

FLY TRAP.

APPLICATION FILED OCT. 13, 1909.

958,208.

Patented May 17, 1910.

Fig. 2.

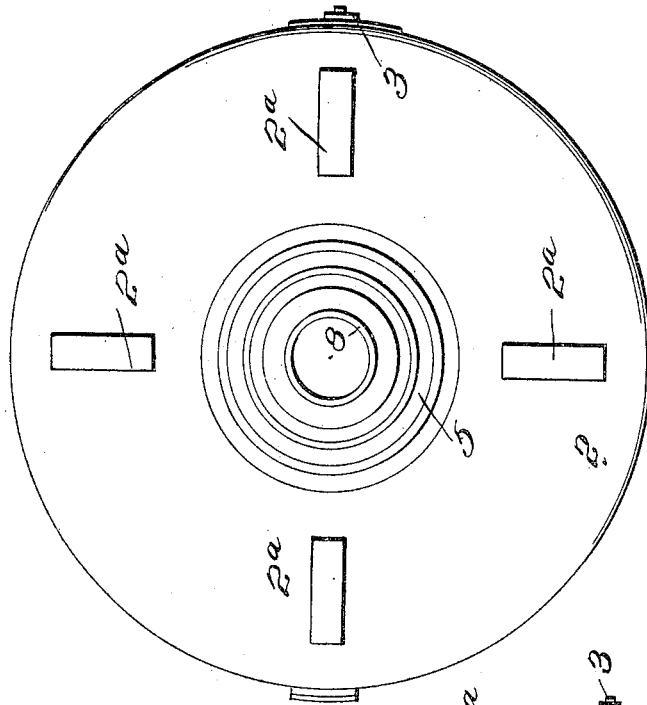
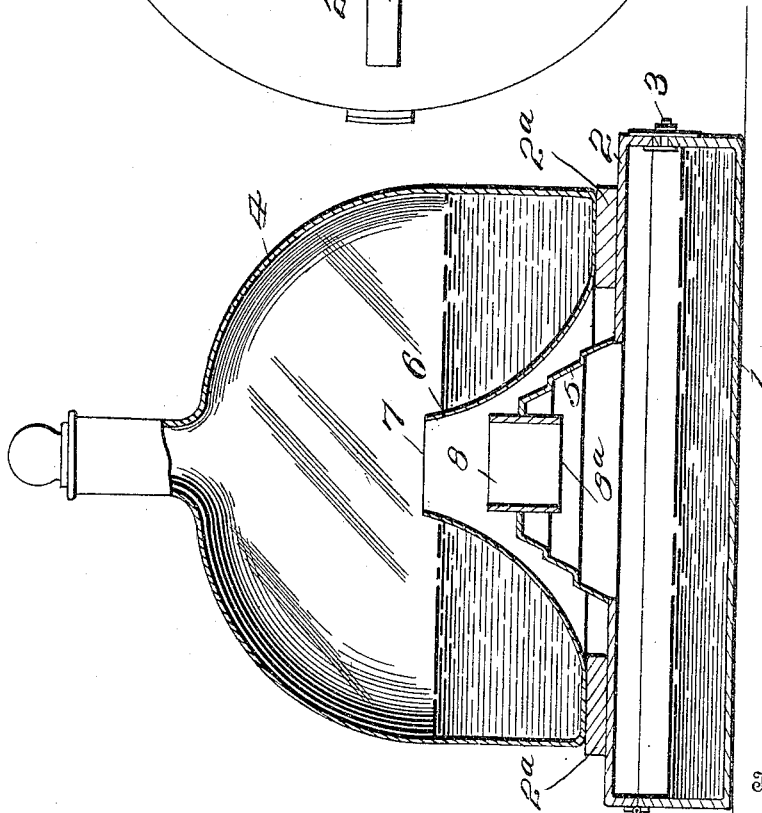


Fig. 1.



Inventor

E. B. Anderson.

Witnesses
W. H. Woodson,
Juana M. Fallin,

By

Acly, Attorneys.

UNITED STATES PATENT OFFICE.

ELIAS B. ANDERSON, OF ROCK FALLS, ILLINOIS.

FLY-TRAP.

958,208.

Specification of Letters Patent.

Patented May 17, 1910.

Application filed October 13, 1909. Serial No. 522,485.

To all whom it may concern:

Be it known that I, ELIAS B. ANDERSON, citizen of the United States, residing at Rock Falls, in the county of Whiteside and State of Illinois, have invented certain new and useful Improvements in Fly-Traps, of which the following is a specification.

This invention comprehends certain new and useful improvements in traps for flies and other insects, and the invention has for its object, a simple device of this character which will be efficient in operation and which may be manufactured at little expense, and maintained with comparatively little trouble.

The invention consists essentially in lower and upper receptacles for water and the like having a passageway for the entrance of the flies in which sugar or the like is intended to be placed, this passageway leading upwardly into the upper receptacle, and also communicating by a joint passageway with the lower receptacle whereby the flies will be entrapped. And the invention consists in certain constructions, arrangements and combinations of the parts that I shall hereinafter fully describe and claim.

For a full understanding of the invention, reference is to be had to the following description and accompanying drawings in which:

Figure 1 is a sectional view of a fly-trap constructed in accordance with my invention; and, Fig. 2 is a top plan view of the lower receptacle thereof.

Corresponding and like parts are referred to in the following description and indicated in all the views of the accompanying drawings by the same reference characters.

Referring to the drawing, the numeral 1 designates the lower receptacle of my improved fly-trap, the same being formed of any desired substance or material and of any desired height and diameter. The receptacle 1 is provided with a top or cover 2 which may be hinged thereto or otherwise secured in place and held by a latch 3 of any desired character. It is intended that water or an insecticide be placed within the receptacle 1. The cover 2 is provided with any desired number of spaced blocks or supports 2^a upon which a bottle or jar 4 is designed to rest, the bottom of the bottle being thereby spaced from the lid and providing an entrance for the flies to reach the sugar or the like that is intended to be

placed upon one or more pyramidal shelves 5 that are secured to the cover 2 in a substantially central position and that extend upwardly into the hollow open bottom 6 of the bottle. This bottom is spaced somewhat from the shelves 5 so as to provide a passageway leading by means of the bottom opening 7 into the interior of the bottle 4 which contains water or the like as indicated in the drawings, the said passageway also leading to a tubular portion or cylinder 8 which is secured to the top of the series of shelves 5 and which is provided with a depending flange as indicated at 8^a extending down into the shelves so as to prevent the flies from coming out of the receptacle 1 after they have once entered the same through the opening in the cylinder 8 and the passage constituted thereby and the interior of the pyramidal shelves 5.

From the foregoing description and accompanying drawing, the practical operation of my improved fly-trap will be apparent.

In the practical use of the device the stopper of the bottle is removed and the body portion of the bottle filled to the desired extent with water or some other liquid, the receptacle 1 being also filled to the desired extent and then closed. The bottle rests upon the supports 2^a as shown and the flies will then enter the space between the upwardly extending hollow bottom 6 of the bottle and the shelves 5, being attracted by the sugar or other substance on the shelves, they will have a tendency to crawl into the bottle or down into the receptacle, in either one of which they will be entrapped.

Obviously the parts may be easily cleaned and the water or the like renewed whenever necessary.

Having thus described the invention, what is claimed as new is:

1. An insect trap comprising a covered receptacle designed to contain water or the like, blocks secured to the cover of said receptacle, shelves also secured to the cover, a bottle adapted to rest on said blocks and formed with a hollow bottom, having an opening therein and surrounding said shelves, the shelves being provided at their top with an opening leading down into the covered receptacle.

2. An insect trap comprising a covered receptacle designed to contain water or the like, a series of pyramidal shelves secured

to and rising from the cover of said receptacle, a cylinder supported in the top of said shelves and providing an opening leading down into the receptacle, the cylinder being
5 provided with a depending flange extending into the shelves, and a bottle supported on the cover in a slightly elevated position and formed with a hollow open bottom surrounding the shelves and spaced from and
10 above the opening at the hollow bottom.

3. An insect trap comprising a covered receptacle designed to contain water or the like, shelves supported on the cover and provided with an opening leading down into
15 the receptacle, and a bottle supported in a slightly elevated position on the cover and formed with a hollow bottom having an

opening above and in line with the opening which leads downwardly into the covered receptacle. 20

4. An insect trap comprising a receptacle provided with a cover adapted to be opened, the cover being formed with an opening extending therethrough, blocks secured to said cover, and a bottle adapted to rest on said
25 blocks and formed with a hollow open bottom, the bottom having an opening therein above the opening in the cover.

In testimony whereof I affix my signature in presence of two witnesses.

ELIAS B. ANDERSON. [L. s.]

Witnesses:

HARLAN L. BREWER,

ALBERT W. EARLY.