

United States Patent [19]

Hunter

[11] Patent Number: Des. 301,364

[45] Date of Patent: ** May 30, 1989

[54] FLY CATCHER

[76] Inventor: Paul H. Hunter, 912 River Rd.,
Piscataway, N.J. 08854

[**] Term: 14 Years

[21] Appl. No.: 50,075

[22] Filed: May 15, 1987

[52] U.S. Cl. D22/122

[58] Field of Search 43/122, 107, 111;
D22/119, 122, 123

[56] References Cited

U.S. PATENT DOCUMENTS

1,297,894 3/1919 Navrot 43/122

1,666,785 4/1928 March 43/122
1,734,818 11/1929 March 43/122

FOREIGN PATENT DOCUMENTS

2362585 4/1978 France 43/122

Primary Examiner—A. Hugo Word

[57] CLAIM

The ornamental design for a fly catcher, as shown.

DESCRIPTION

FIG. 1 is a front elevational view of a fly catcher showing my design;

FIG. 2 is a bottom plan view thereof;

FIG. 3 is a top plan view thereof; and,

FIG. 4 is a perspective view thereof.

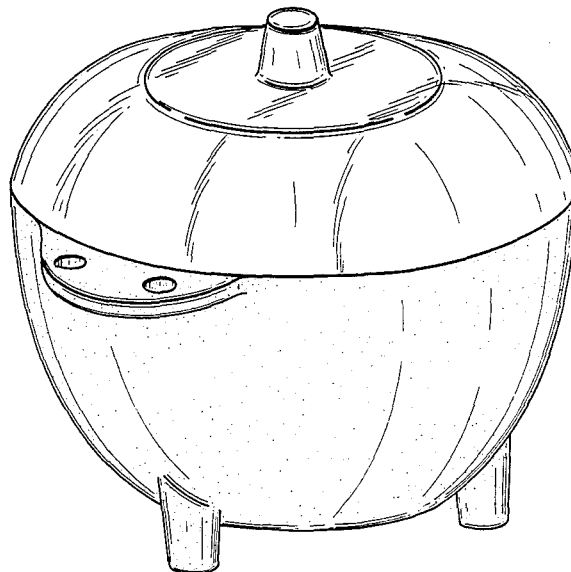


FIG-1

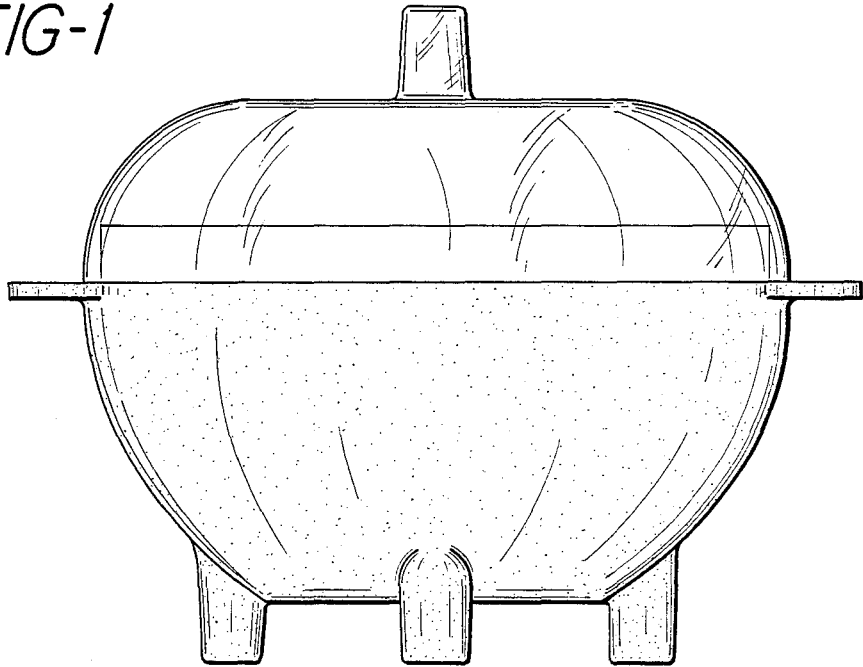


FIG-2

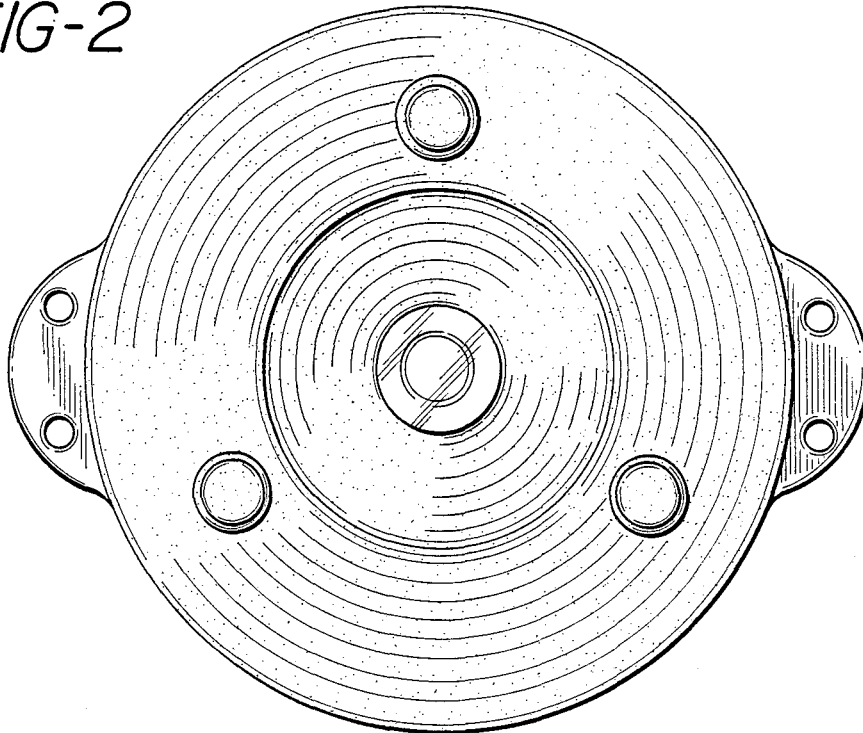


FIG-3

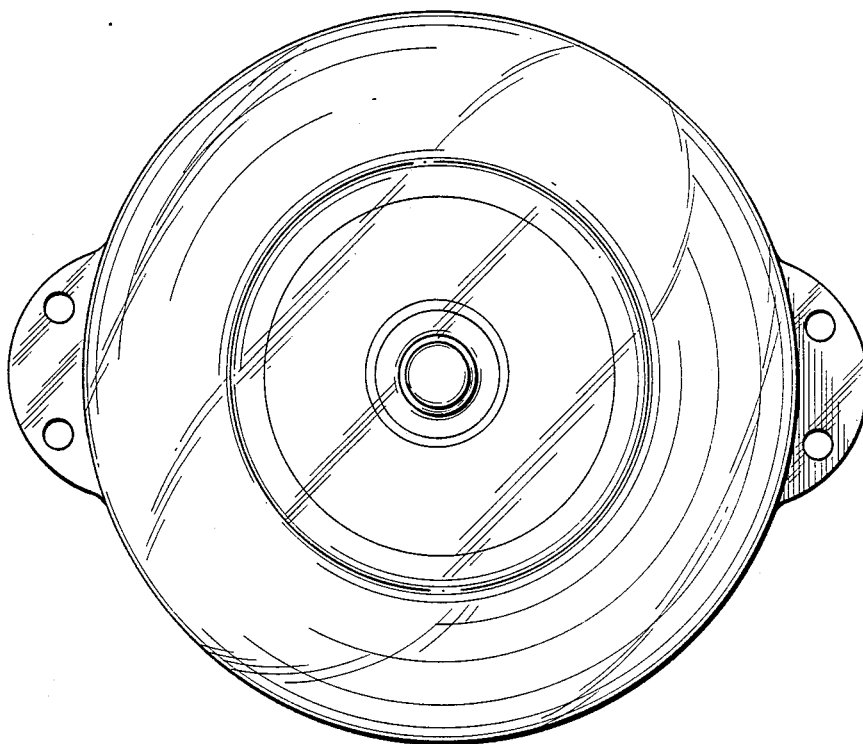


FIG-4

