



US00D421477S

# United States Patent [19]

[11] Patent Number: Des. 421,477

Kalal

[45] Date of Patent: \*\* Mar. 7, 2000

[54] INSECT TRAP

2,837,861 6/1958 Graham, Sr. .... D22/122  
3,319,374 5/1967 Gawne ..... D22/123

[76] Inventor: David E. Kalal, 34594 Garoutte Rd.,  
Cottage Grove, Oreg. 97424

Primary Examiner—Doris Clark  
Assistant Examiner—Inga-Maria Hyttinen  
Attorney, Agent, or Firm—Robert E. Howard

[\*\*] Term: 14 Years

### [57] CLAIM

[21] Appl. No.: 29/096,568

The ornamental design for an insect trap, as shown and described.

[22] Filed: Nov. 16, 1998

[51] LOC (6) Cl. .... 22-06

[52] U.S. Cl. .... D22/122

[58] Field of Search ..... D22/120, 122,  
D22/123, 119; 43/107, 128, 132.1, 133,  
122, 131

### DESCRIPTION

FIG. 1 is a front perspective view of an insect trap showing the design;  
FIG. 2 is a top plan view thereof;  
FIG. 3 is a front, side and rear elevational view thereof, all having the same configuration since the insect trap is circular; and,  
FIG. 4 is a bottom plan view thereof.

The area inside the broken line showing of a bottom is for illustrative purposes only and forms no part of the claimed design.

### [56] References Cited

#### U.S. PATENT DOCUMENTS

D. 371,418	7/1996	Rubel	.....	D22/122
D. 400,635	11/1998	Kinzler et al.	.....	D22/122
862,079	7/1907	Lenthier	.....	43/122
1,960,464	5/1934	Thalheimer	.....	43/131
1,996,293	4/1935	House	.....	43/107

1 Claim, 2 Drawing Sheets

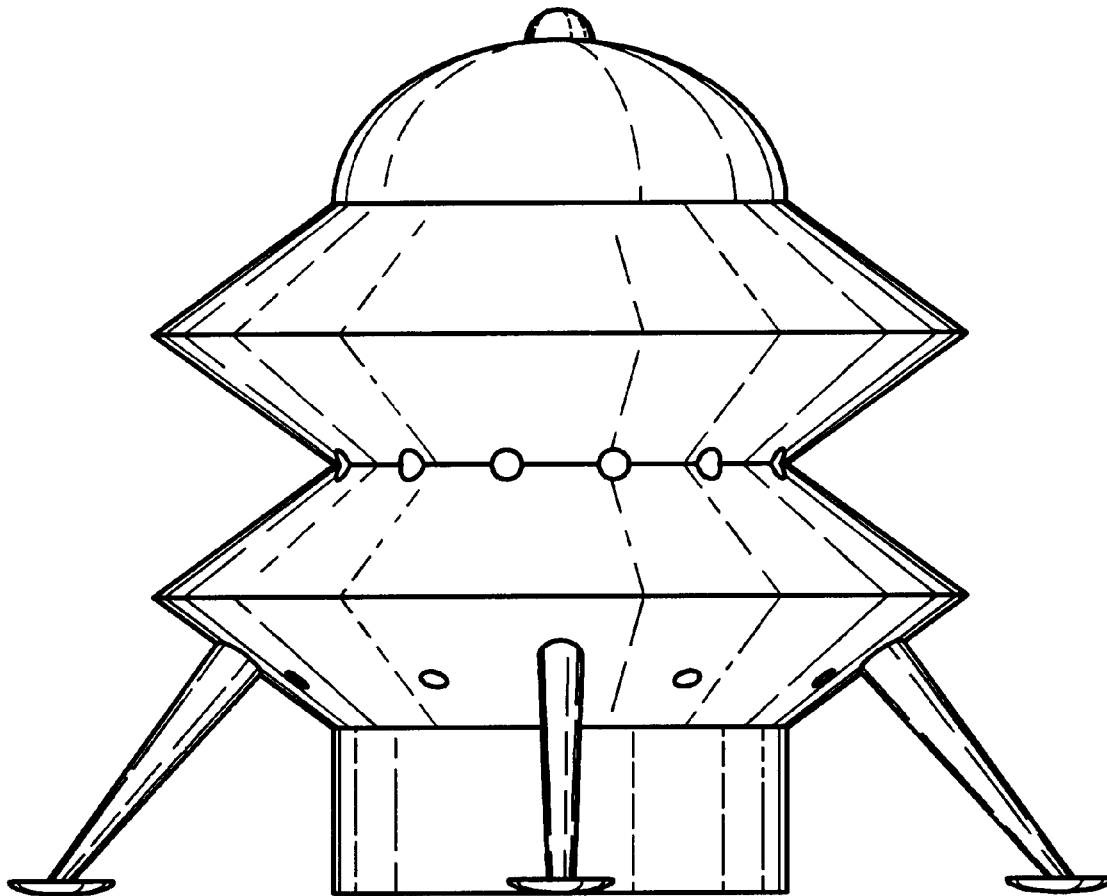


Fig. 1

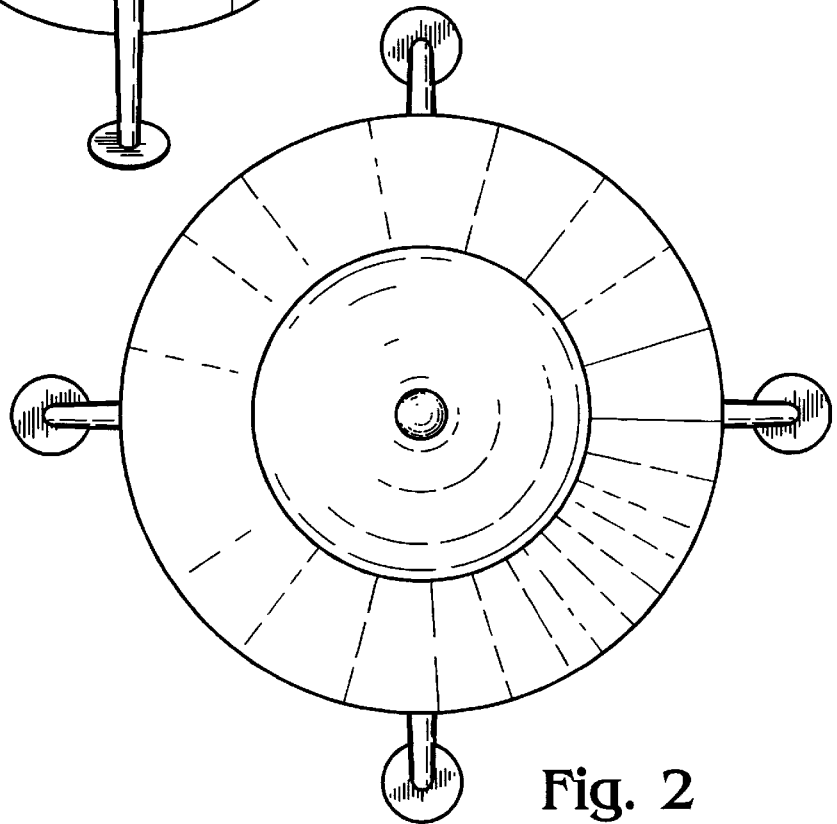
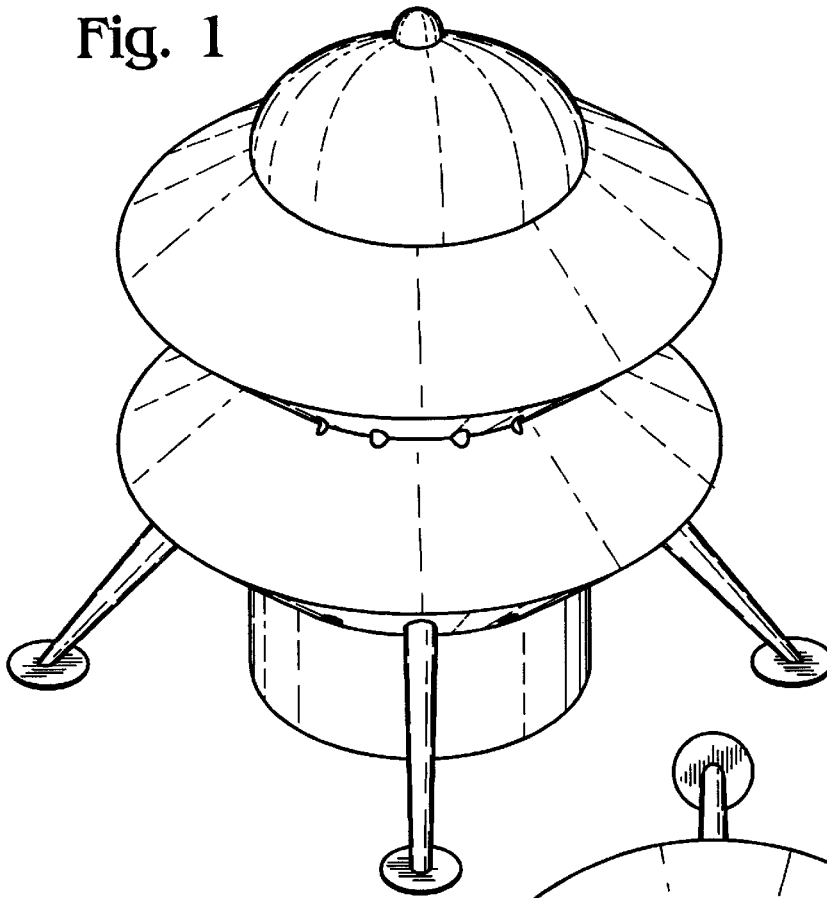


Fig. 2

Fig. 3

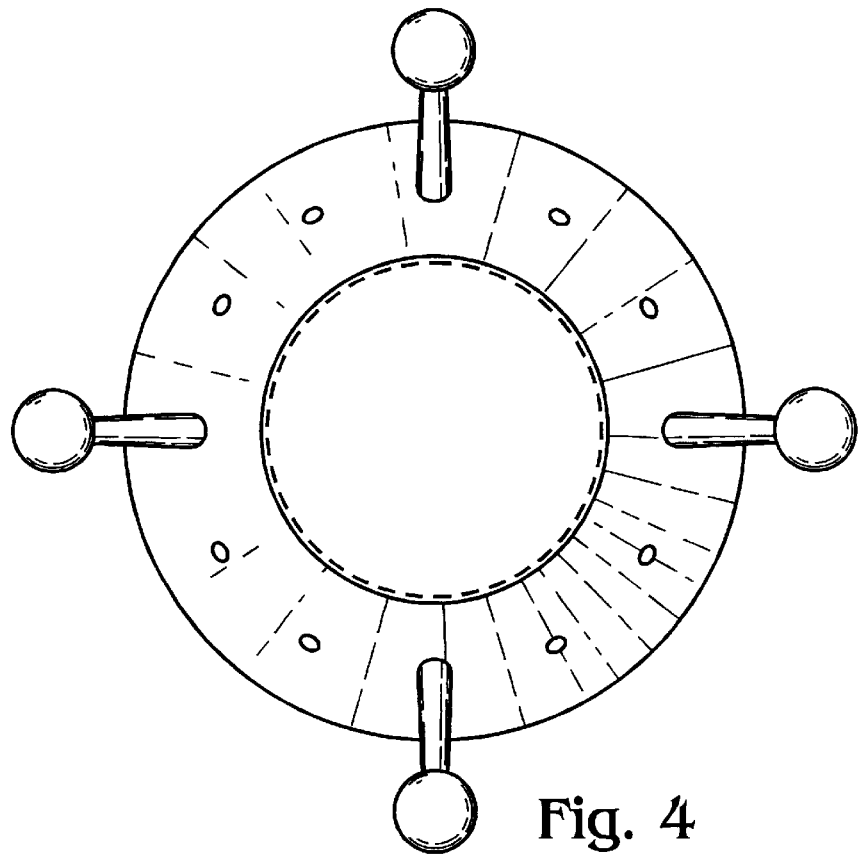
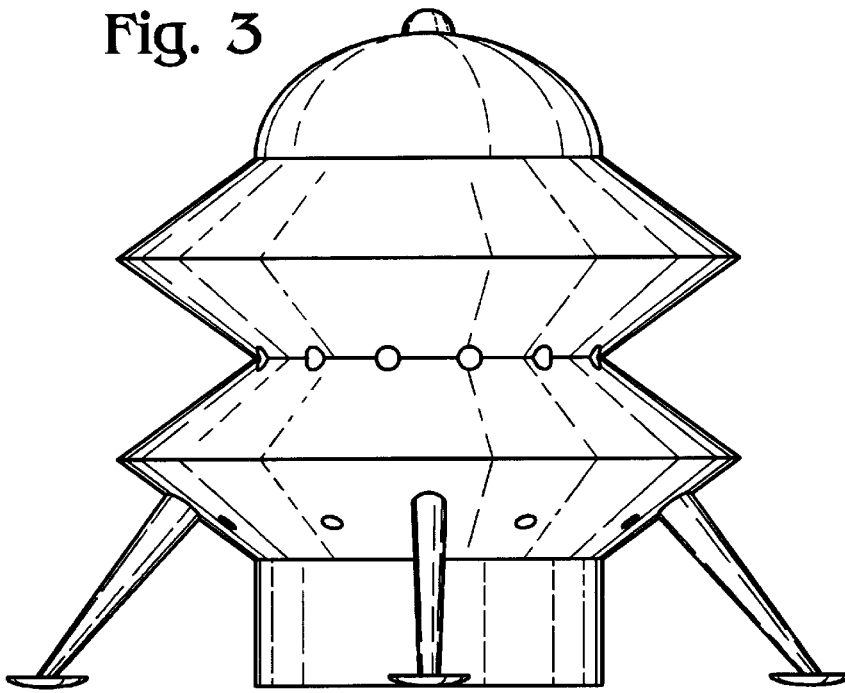


Fig. 4